

Data Sheet

1032 Sanitary Pressure Gauge

FEATURES

- Can be Clean-in-place (CIP) or Steam-in-place (SIP)
- Autoclave or sterilize with 3½" dial with polysulfone window option
- Easy Zero™ provides external adjustability of instrument span (3½" dial)
- 12-20 RA (microinches) electropolished diaphragm surface
- Material certificates and certificate of conformance supplied as standard to EN 10204:2004 3.1
- **PLUS!**™ Performance option

TYPICAL USES

- Specialized OEM equipment
- Filtration
- Food and dairy
- Pharmaceutical
- Biotech
- Medical equipment

SPECIFICATIONS

Accuracy: (Of Span)		Liquid Filled or XLL
		Dry
	2½", 3½" All ranges to 100 psi	±2% ±2.5%
	2½", 3½" Pressure over 100 psi	±1.5% ±2%
	4½"	±1.5% ±1.5%
Dial Sizes:	2½", 3½" or 4½"	
Ranges:	Vacuum, compound to 1,000 psi	
Fill:	Glycerin (USP food grade), Halocarbon®, mineral oil, food grade silicone	
Process Connection Location:	Lower or lower back	
Process Connection:	1½" or 2" Tri-Clamp®	
Pointer:	2½": Black-painted aluminum, adjustable 3½": Black-painted aluminum with ext. adjust 4½": Black-painted aluminum, adjustable	
Dial:	White with black markings with 3A-74 logo	
Clean or Steam in Place (CIS, SIP):	Process temperature limit of 280°F (138°C)	
Case Style:	Open Front	
Window Material:	2½", 3½": Polycarbonate 4½": Glass	
Movement:	2½", 3½": 300 stainless steel 4½": 400 stainless steel	
Weather Protection:	2½" & 3½" IP65 4½" Dry: IP54 4½" Hermetically sealed or liquid filled IP65	
Autoclave or Sterilize:	3½": Temperature limit of 300°F (149°C) when supplied with Polysulfone window (option PS dry gauge only)	



1032
2½", 3½", 4½" dial sizes



KEY BENEFITS

- True Zero™ reduces reading errors by using a "zero box" instead of conventional pins
- Electropolished diaphragm and housing
- Heat lot traceable material certificates

SPECIFICATIONS (Cont.)

Dampening Options:	Liquid fill or PLUS! ™ Performance (Design is not recommended for gauges expected to be exposed to temperature over 200°F (93°C). This includes gauges subject to autoclaving.)
Approvals:	3A compliance to sanitary standard 74, CRN

WETTED COMPONENTS

Diaphragm	Process Connection	Joints
316L Stainless steel electropolished Hastelloy® C276	316L Stainless steel Hastelloy® C276	Welded

NON-WETTED COMPONENTS

Case	Ring
300 Stainless steel polished	300 Stainless steel polished bayonet, removable

Data Sheet

1032 Sanitary Pressure Gauge

ORDERING CODE	Example:	251032	S		15	L	-XC4	100#
Dial Size/Model								
251032 - 2½"		251032						
351032 - 3½"								
451032 - 4½"								
System								
S - 316L Stainless steel tube and socket, 316L diaphragm and seal housing			S					
H - 316 Stainless steel tube and socket, Hastelloy® C276 diaphragm and seal housing								
Case Fill								
Blank - Dry gauge								
L - Liquid fill (Food Grade Glycerine)								
Process Connection Size								
15 - 1½" Tri-Clamp® (2½" and 3½" dial only) (Tri-Clamp is a registered trademark of Alpha Laval)					15			
20 - 2" Tri-Clamp® (Tri-Clamp is a registered trademark of Alpha Laval)								
Process Connection Location								
L - Lower						L		
B - Lower Back								
Options (If choosing an option(s) must include an "X")								
CF - Halocarbon® system fill								-X__
CZ - Food grade silicone system fill								
C4 - Individual certified calibration chart								
FJ - Distilled water system fill								
GX - Halocarbon® case fill								
LL - PLUS! ™ performance								
MO - Mineral oil case fill								
MY - Mineral oil system fill								
MQ - Positive material identification (PMI) (diaphragm and top housing only)								
NH - Stainless metal tag								
NM - Neobee® M-20 system fill								
NZ - PLUS! ™ performance silicone free								
PD - Polycarbonate window (4½" only)								
PS - Polysulfone window (3½" only)								
SG - Safety glass								
ZF - Food grade silicone case fill								
6B - Cleaned for gaseous oxygen service (requires Halocarbon® or distilled water case and systems fill)								
6W - Cleaned for gases other than oxygen								
Range (Coding examples only, see range table on page 3)								
Vacuum (30 IMV)								
100# - 100 psi								100#
1000# - 1,000 psi (range required high pressure type clamp, not supplied by Ashcroft)								

Data Sheet

1032 Sanitary Pressure Gauge

STANDARD PRESSURE RANGES					
	psi	bar	kPa	kg/cm ²	Dual Scale psi Outer Scale
Vacuum	30IMV	-1BR	100KP	-1KSC	30IMV
	30IMV&15#	-	-	-	-
	-	-1&1.5BR	-100&150KP	-1&1.5KSC	30IMV&20#
Compound	30IMV&30#	-	-	-	-
	-	-1&3BR	-100&300KP	-1&3KSC	30IMV&40#
	30IMV&60#	-	-	-	-
	500IW	-1&5BR	-100&500KP	-1&5KSC	30IMV&70#
	30IMV&100#	-	-	-	-
	-	-1&9BR	-100&900KP	-1&9KSC	30IMV&125#
	15#	100KP	1BR	1KSC	14# ⁽¹⁾
Positive Pressure	-	1.6BR	160KP	1.6KSC	22#
	30#	-	-	-	-
	-	2.5BR	250KP	2.5KSC	35#
	60#	4BR	400KP	4KSC	55#
	-	6BR	600KP	6KSC	85#
	100#	-	-	-	-
	-	10BR	1000KP	10KSC	140#
	160#	-	-	-	-
	200#	-	-	-	-
	-	16BR	1600KP	16KSC	220#
	300#	-	-	-	-
	-	25BR	2500KP	25KSC	350#
	400#	-	-	-	-
	600#	40BR	4000KP	40KSC	550#
	-	60BR	6000KP	60KSC	850#
1000# ⁽¹⁾	-	-	-	-	

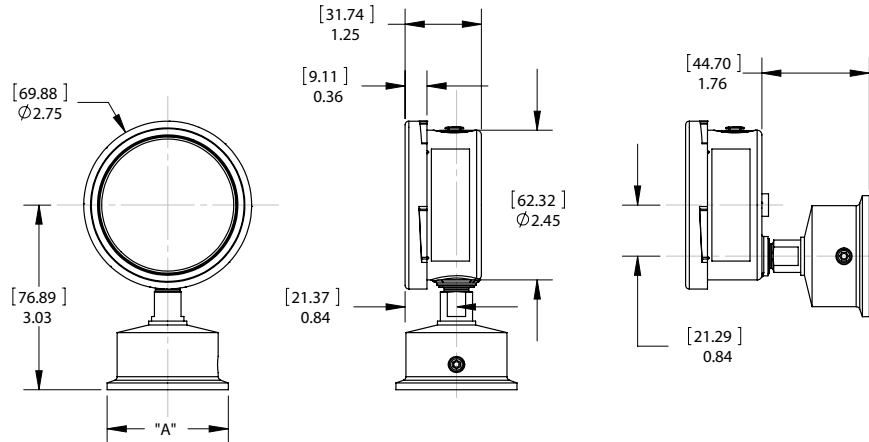
(1) Requires high pressure clamp

Data Sheet

1032 Sanitary Pressure Gauge

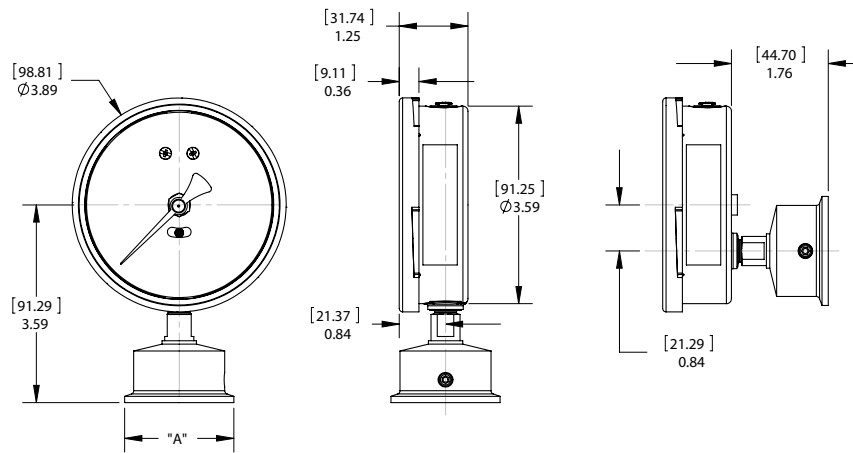
DIMENSIONS in [] are millimeters

2½" 1032 SANITARY GAUGE



Seal Size	Dim A
1½	1.98 [51]
2	2.52 [64]

3½" 1032 SANITARY GAUGE



Seal Size	Dim A
1½	1.98 [51]
2	2.52 [64]

4½" 1032 SANITARY GAUGE

